

450 Delta Ave
Brea, Ca 92821
(714) 385-1202



Notice: This document contains information proprietary to and is protected by copyright of Win-Dor Inc. and shall not be copied, disclosed to others, or used for any purpose other than that for which it is given, without the written permission of Win-Dor Inc.

Project:	File name: OXXO Assembly	Date: 20181219
Notes:	Layout: Frame Parts	Drawn by: J Johnson

40.90.32.100.1
Signature SGD Handle WHT
or
40.90.BK.100
Signature SGD Handle BLK
or
40.90.JA.100
Signature SGD Handle BR5
or
40.90.53.100
Signature SGD Handle BC



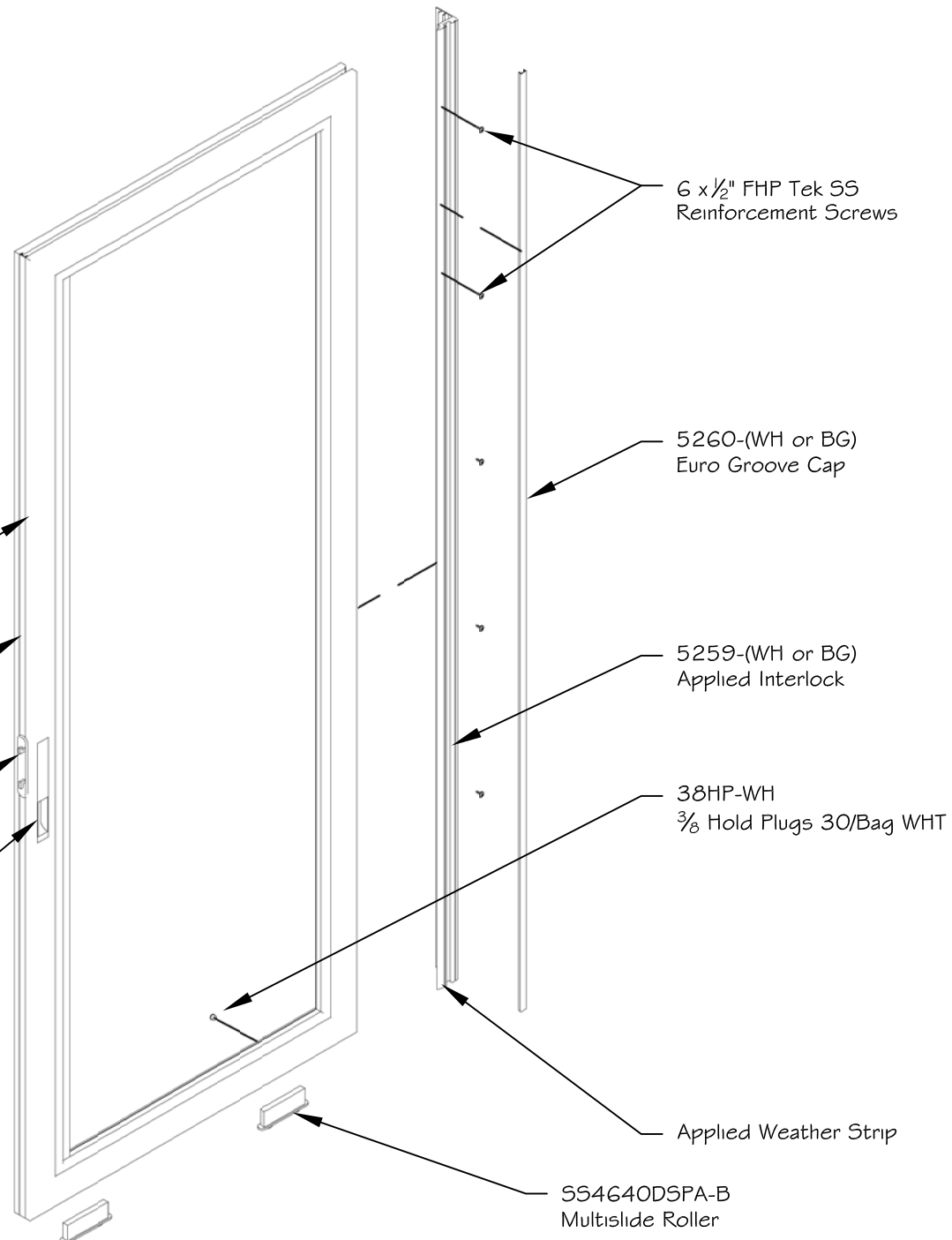
5254-(WH or BG)
3.75 Door Sash

5260-(WH or BG)
Euro Groove Cap

13326
Nexus Lock with Recessed Faceplate

40.84.32.311.1
Multislide Handle No Key XO WHT
or
40.84.02.311.1
Multislide Handle No Key XO BLK
or
40.84.33.311.1
Multislide Handle No Key XO BC

*Silicone caulking is used in the installation of the applied interlock to the sash.



6 x 1/2" FHP Tek SS
Reinforcement Screws

5260-(WH or BG)
Euro Groove Cap

5259-(WH or BG)
Applied Interlock

38HP-WH
3/8 Hold Plugs 30/Bag WHT

Applied Weather Strip

SS4640DSPA-B
Multislide Roller

450 Delta Ave
Brea, Ca 92821
(714) 385-1202



Notice: This document contains information proprietary to and is protected by copyright of Win-Dor Inc. and shall not be copied, disclosed to others, or used for any purpose other than that for which it is given, without the written permission of Win-Dor Inc.

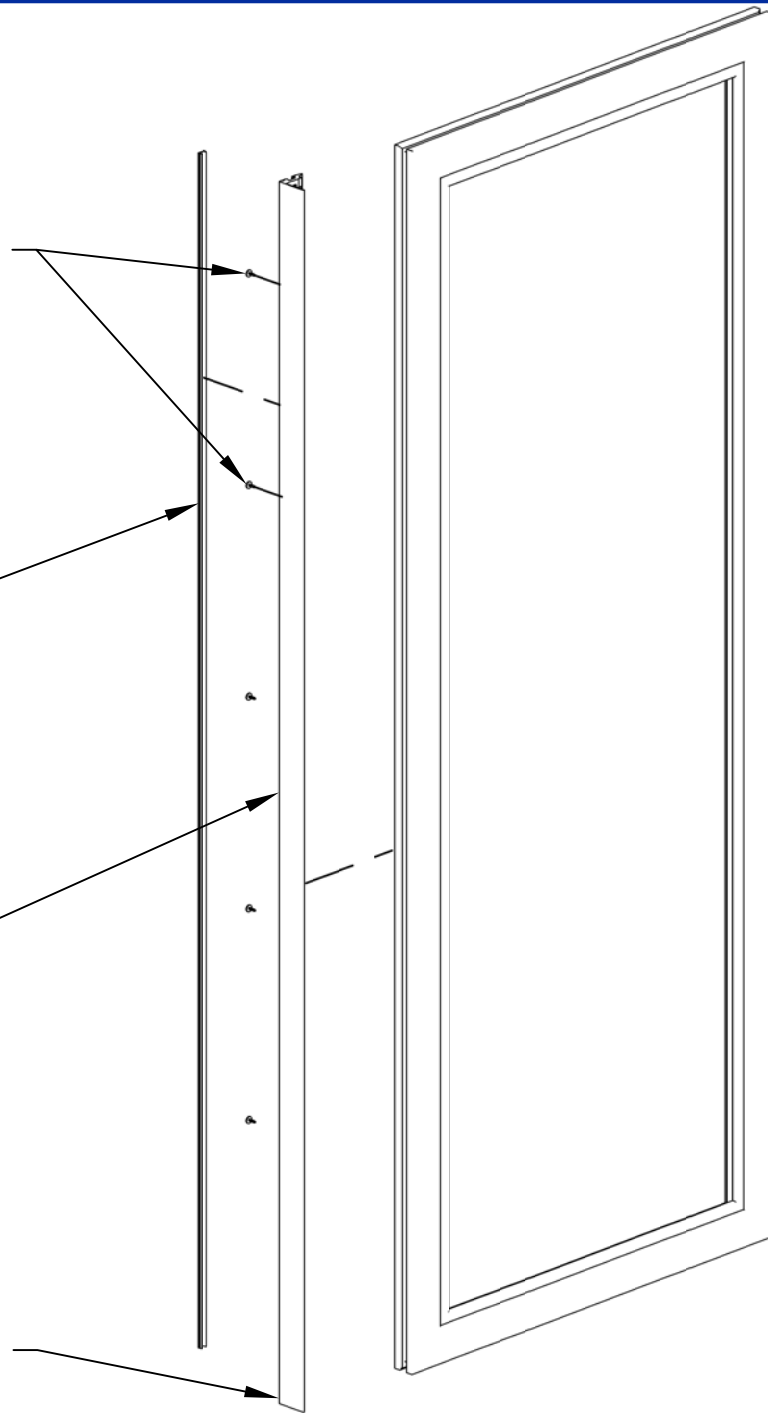
Project:	File name: 3750 - Exploded Interlock Assembly	Date: 20200625
Notes:	Layout: Primary X Panel	Drawn by: J Johnson

6 x 1/2" FHP Tek SS
Reinforcement Screws

5260-(WH or BG)
Euro Groove

5259-(WH or BG)
Applied Interlock

Applied Weather Strip



*Silicone caulking is used in the installation of the applied interlock to the sash.

Notice: This document contains information proprietary to and is protected by copyright of Win-Dor Inc. and shall not be copied, disclosed to others, or used for any purpose other than that for which it is given, without the written permission of Win-Dor Inc.



450 Delta Ave
Brea, Ca 92821
(714) 385-1202

Project:

File name: 3750 - Exploded Interlock Assembly

Date: 20200625

Notes:

Layout: O Panel

Drawn by: J Johnson