

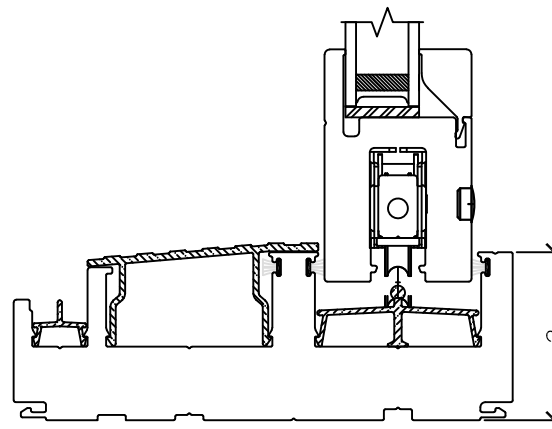
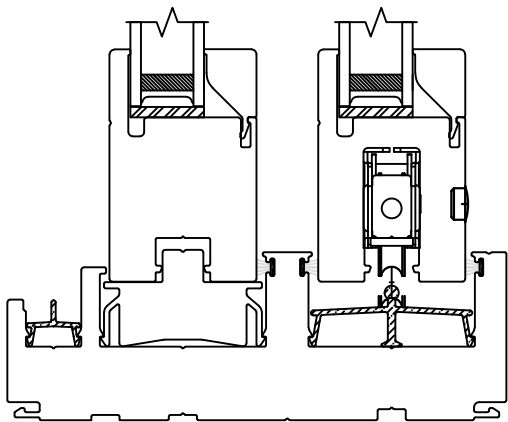
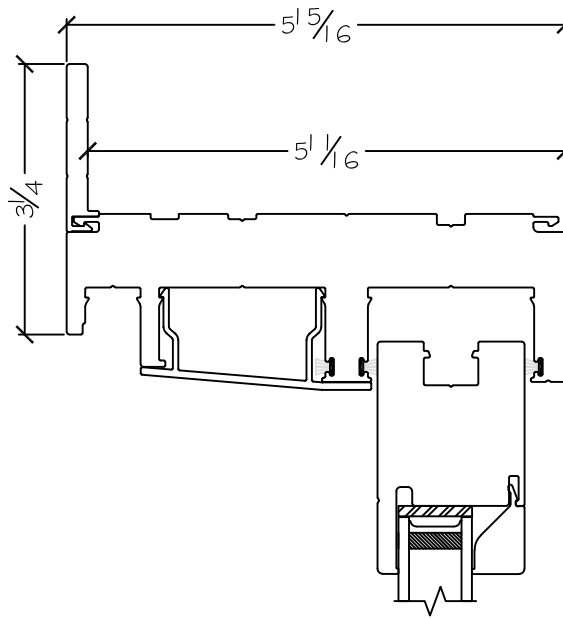
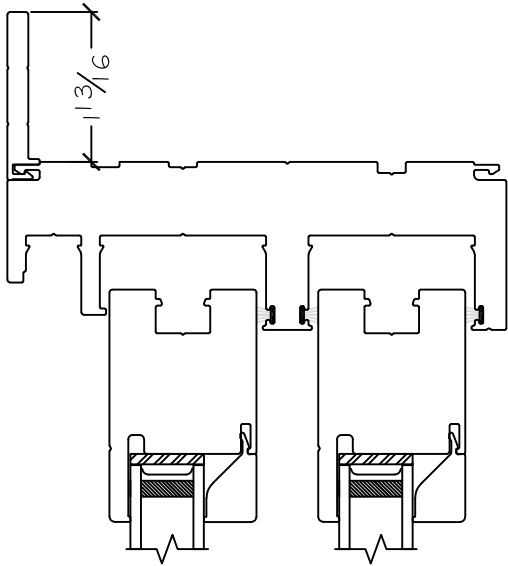
\*Upgraded Signature Series Handle

Project:	File name: 2750 Patio Door - Section Views - XO Stucco Fin	Date: 20190930
Notes:	Layout: Horizontal Section View	Drawn by: J Johnson



450 Delta Ave  
 Brea, Ca 92821  
 (714) 385-1202

Notice: This document contains information proprietary to and is protected by copyright of Win-Dor Inc. and shall not be copied, disclosed to others, or used for any purpose other than that for which it is given, without the written permission of Win-Dor Inc.



Notice: This document contains information proprietary to and is protected by copyright of Win-Dor Inc. and shall not be copied, disclosed to others, or used for any purpose other than that for which it is given, without the written permission of Win-Dor Inc.

**WINDOR**  
www.windorsystems.com

450 Delta Ave  
Brea, Ca 92821  
(714) 385-1202

Project:

File name: 2750 Patio Door - Section Views - XO Stucco Fin

Date: 20190930

Notes:

Layout: Vertical Section View

Drawn by: J Johnson