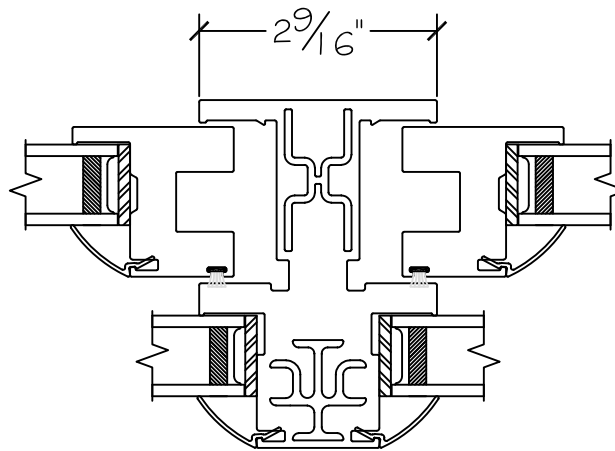
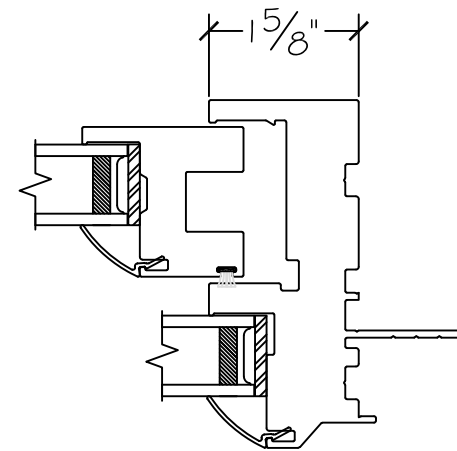


Interior



Exterior



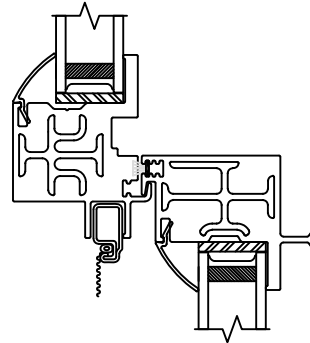
Notice: This document contains information proprietary to and is protected by copyright of Win-Dor Inc. and shall not be copied, disclosed to others, or used for any purpose other than that for which it is given, without the written permission of Win-Dor Inc.



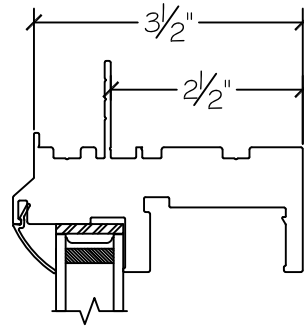
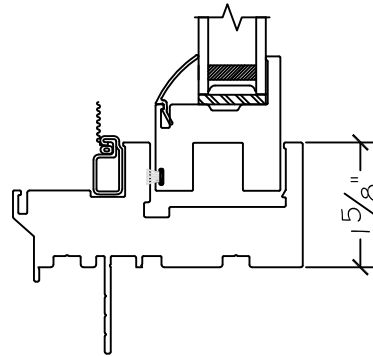
450 Delta Ave  
Brea, Ca 92821  
(714) 385-1202

Project:	File name: I 550 Section View - SH SH - 1 inch Nail-fin	Date: 20190730
Notes:	Layout: Horizontal Section View	Drawn by: J Johnson

Exterior



Interior



Project:

File name: I 550 Section View - SH SH - 1 inch Nail-fin

Date: 20190730

Notes:

Layout: Vertical Section View

Drawn by: J Johnson

Notice: This document contains information proprietary to and is protected by copyright of Win-Dor Inc. and shall not be copied, disclosed to others, or used for any purpose other than that for which it is given, without the written permission of Win-Dor Inc.

**WINDOR**  
www.windorsystems.com

450 Delta Ave  
Brea, Ca 92821  
(714) 385-1202